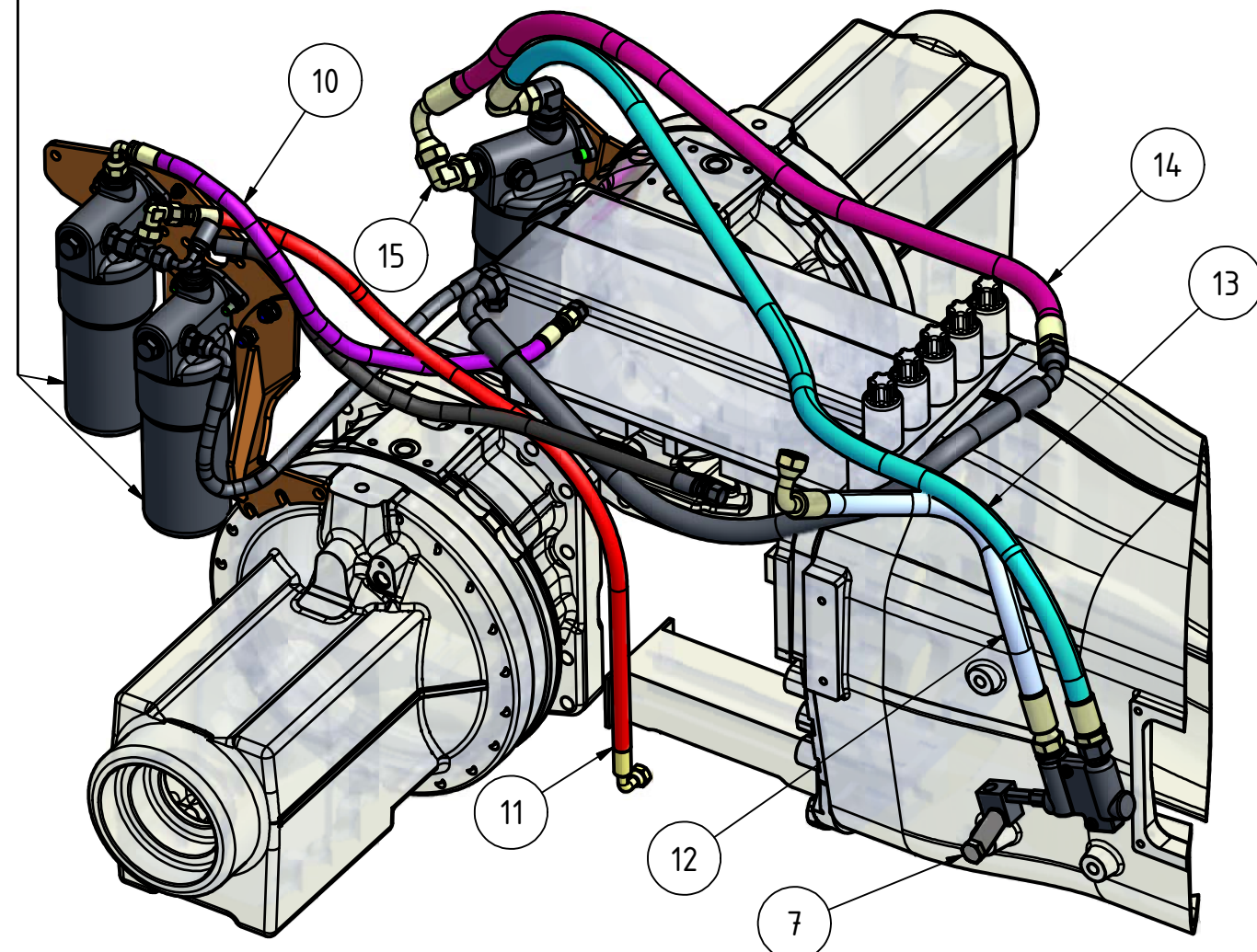


Tämä suodatin on siirretty
akkukotelon vierestä
This filter has been moved
from the side of battery case

Suodattimien järjestys vaihtuu alkuperäisestä
Filters order change from the original



ITEM	QTY	PART NUMBER	DESCRIPTION
16	1	Angle nippe 90-Deg JIC-10	Male/Female thread
15	1	Angle nippe 90-Deg JIC-12	Male/Female thread
14	1	06088009	Hose 3/4" L=1100mm
13	1	06088008	Hose 3/4" L=1550mm
12	1	06088007	Hose 3/4" L=550mm
11	1	06071-08	Hose 1/2" L=955mm
10	1	06071-07	Hose 1/2" L=855mm
9	5	DIN 912 - M10 x 40	Cylinder Head Cap Screw
8	2	DIN 931-1 - M12 x 100	Hex-Head Bolt (10.9)
7	1	DIN 933 - M16 x 30	Hex-Head Bolt
6	2	DIN 985 - M12	Hex Nut
5	1	DIN 125 - A 13	Washer
4	2	DIN 933 - M12 x 35	Hex-Head Bolt
3	2	DIN 985 - M8	Hex Nut
2	2	DIN 933 - M8 x 25	Hex-Head Bolt
1	6	DIN 985 - M10	Hex Nut

HUOM!

Kaikki harmaat osat ovat Valtra alkuperäisosa

NOTE!

All the gray parts are Valtra original parts

JAKE						www.jake.fi	
		Date	Name	Hydraulic filters and priority valve			
		Drawn	8.9.2008				
		Checked					
		Standard		Valtra N91-N141 HiTech			
State	Changes	Date	Name				